



Positioning 3-Way Pilot Valve, Metal

Model PC-X-M

This multi purpose, direct acting 3-way positioning pilot Valve is actuated by a pressure responsive diaphragm, which seeks to reach equilibrium between hydraulic and set spring forces.

The pilot directs flow and pressure between its ports:

- When sensed pressure is above set point, it connects port "0" to "3".
 - When sensed pressure is equal to set point, it blocks connections between all ports.
 - When sensed pressure is below set point, it connects port "3" with "2".
- Relevant pressure is continuously sensed through port "1".

Typical Applications

- Pressure Reducing Valves (Type X) sizes 1 1/2-6"
- Pressure Sustaining Valves (Type X) sizes 1 1/2-6"
- Adjustable 3-Way Hydraulic Relay (N.O. or N.C.)
- Automatic Regulation Override (feature 09) sizes 1 1/2-6"

Technical Data

Pressure Rating: 16 bar; 232 psi

Working Temperature: Water up to 80°C; 180°F

Flow Factor:

0 to 3: Kv 0.13 m³/h @ 1bar ΔP; Cv 0.15 GPM @ 1psi ΔP

3 to 2: Kv 0.08 m³/h @ 1bar ΔP; Cv 0.09 GPM @ 1psi ΔP

Standard Materials:

Body & cover: Brass

Elastomers: NBR

Internals: Stainless Steel & Brass

Spring: Galvanized Steel

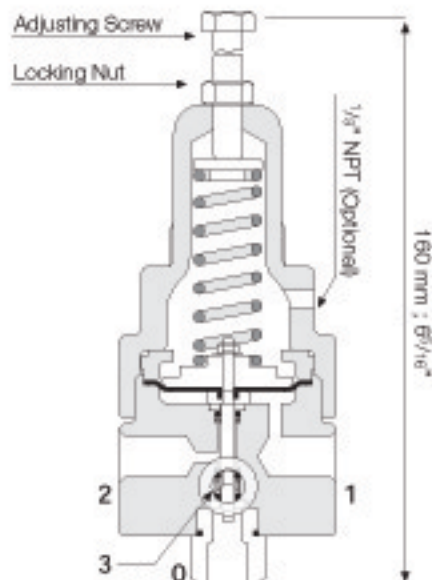
Ports: 1/4" NPT

Adjustment Range

Spring	Pressure		
	bar	psi	
G-Blue	1-10	15-145	Standard
H-Orange	1-7	15-100	Optional
N-Natural	0.8-6.5	11-95	
K-Gray	0.5-3	7-40	

Connections

- 0 - Upstream for reducing, Vent for sustaining
- 3 - Valve control chamber
- 2 - Vent for reducing, Upstream for sustaining
- 1 - Pressure Sensing



Weight: 1.35 Kg; 3.0 lbs.